



Australian Pressure Vessel Heads
APV (Aus) Pty Ltd ABN 83 622 225 549

P 61 3 9311 7722
E sales@apvheads.com.au
A 95 Bunnett st Sunshine North Vic 3020

F 61 3 9311 5460
W www.austpvheads.com.au
PO Box 60 Sunshine Vic 3020

STANDARD ELLIPTICAL INSPECTION OPENINGS

BOLT & NUT MATERIAL TO AS1110 GRADE 8.8

GASKET MATERIAL:- 3.0mm THICK NON-ASBESTOS KLINGERSIL C4430

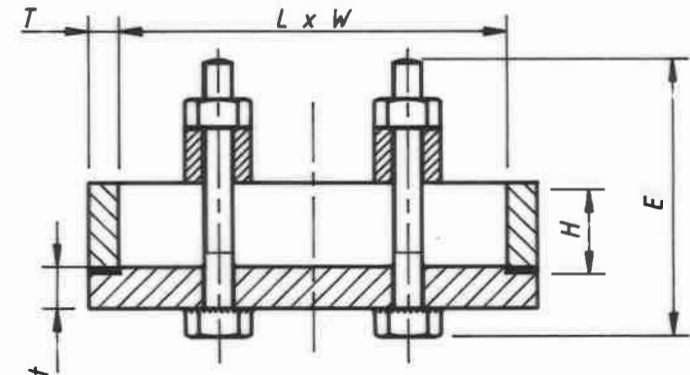
OR EQUIVALENT (MAX. TEMPERATURE 400°C).

MAX. DESIGN PRESSURE (MPa) @ °C

NOM. SIZE	No. BOLTS	DIM 'L'	DIM 'W'	DIM 'H'	DIM 'E'	T	t	CODE	MAX. DESIGN PRESSURE (MPa) @ °C				WEIGHT (Kg)
									≤250°	300°	350°	400°	
400 x 300	2	408	306	80	250	32	25	AS1210	1.65	1.55	1.50	N/A	75
								AS1228/1797	1.70	1.55	1.50	1.40	
400 x 300	2	408	306	80	250	32	32	AS1210	2.7	2.6	2.5	N/A	82
								AS1228/1797	2.9	2.6	2.5	2.3	
400 x 300	2	408	306	80	250	32	40	AS1210	4.3	4.1	3.9	N/A	90
								AS1228/1797	4.6	4.1	3.9	3.7	
400 x 300	2	408	306	80	250	32	50	AS1210	6.8	6.5	6.2	N/A	105
								AS1228/1797	7.3	6.5	6.2	5.8	
180 x 125	1	178	123	45	165	16	20	AS1210	5.8	5.5	5.3	N/A	11
								AS1228/1797	6.3	5.5	5.3	5.0	
115 x 90	1	113	88	40	130	12	16	AS1210	7.8	7.5	7.1	N/A	6
								AS1228/1797	8.4	7.5	7.1	6.7	

STATE APPROVAL No.s

ASSEMBLY DIMENSIONS	VIC.	N.S.W.	QLD.	TAS.	S.A.	W.A.	N.T.
406 x 305	V190-84	4062 P84 BV 17914	TA 4591	MIS 84141-2	WA 8247	3058	
180 x 125	V229-84	4124 P84 BV 17990	TA 4631	MIS 84239	WA 8273	3094	
115 x 90	V191-84	4063 P84 BV 17915	TA 4592	MIS 84141-2	WA 8248	3059	



FILENAME = PAUL02.DWG